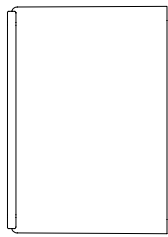
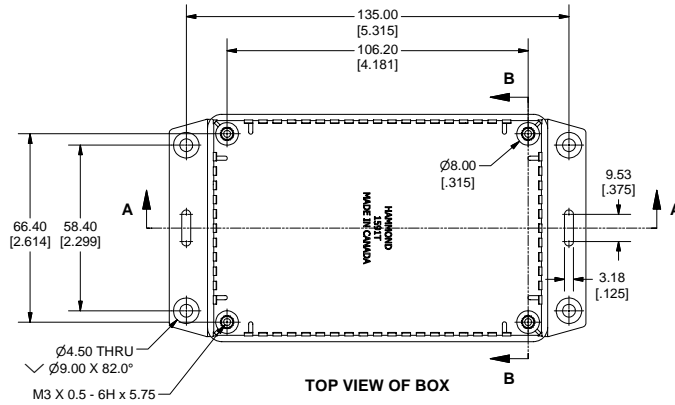


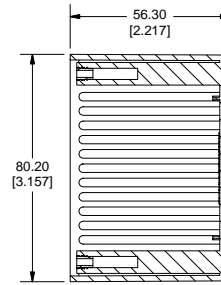
1591TF Enclosure



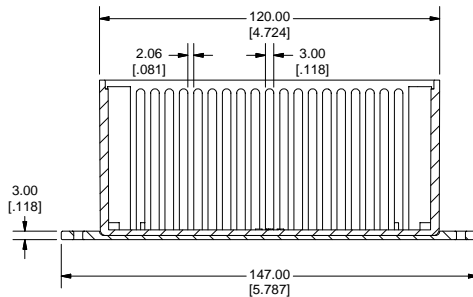
SIDE VIEW OF BOX



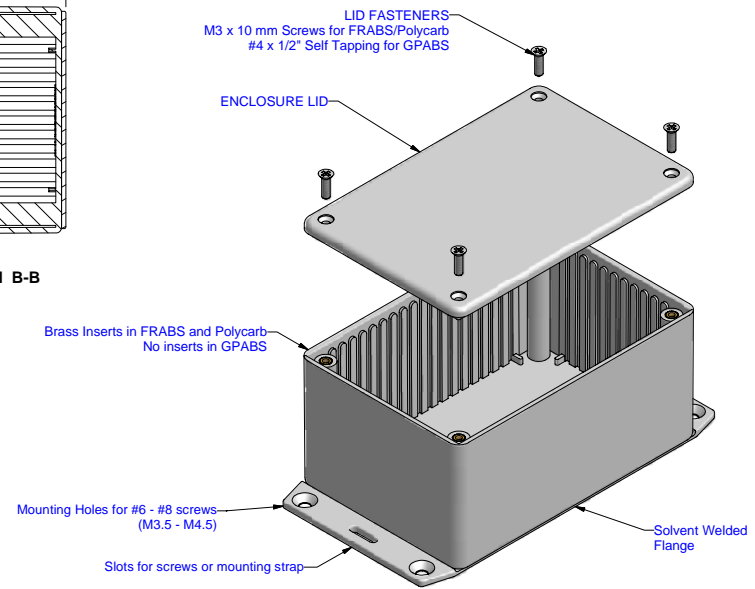
TOP VIEW OF BOX



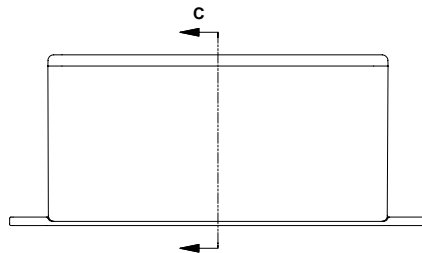
SECTION B-B



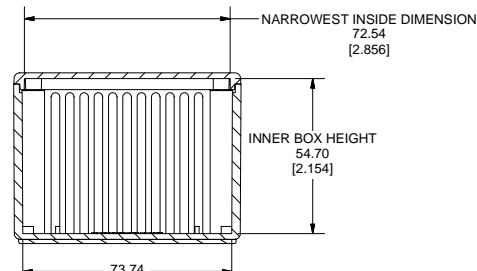
SECTION A-A



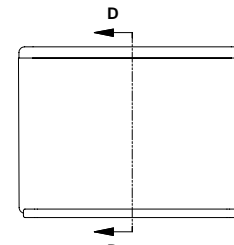
EXPLODED VIEW OF ASSEMBLY



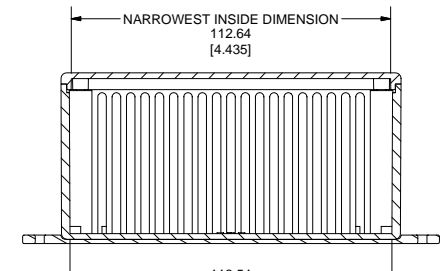
SIDE VIEW OF ASSEMBLY



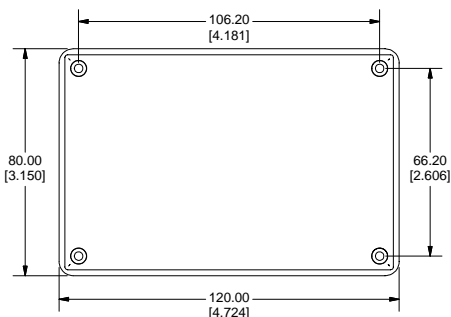
SECTION C-C



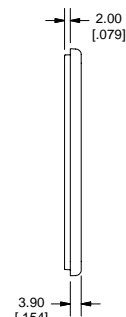
END VIEW OF ASSEMBLY



SECTION D-D



BOTTOM OF LID



SIDE OF LID

Note:

Enclosures can be Factory Modified (Milling, Drilling, Printing etc.)
 Solid models of this enclosure available in STEP or IGES Format.
 Contact Factory mjm@hammondmfg.com



PART NUMBERS		
1591T Flanged Box Enclosures		
Material	Colour	Part Number
FR ABS	Black	1591TF2BK
UL94 - V0	Grey	1591TF2GY
GP ABS	Black	1591TF2SBK
	Grey	1591TF2SGY
Accessories		
Description	Part Number	
Universal Use	PC Board Card Adapters	See Accessories Section
	Clear Lids - clear, flame retardant polycarbonate - Lid ONLY	1591TC
FR ABS	Replacement Screws, Flat Head Phillips	1591MS100
	Nickel Plated Pkg of 100	1591MS100BK (Black)
GP ABS	Self Tapping Pkg of 100	1591TS100
		1591TS100BK (Black)
Recommended Torque on Fasteners (no lubrication)		
	M3 - 0.5 x 10mm Screws	30-40 cN*m
	#4 x 0.5 Screws	30-40 cN*m